



Quality Access Doors- FAST!

SUBMITTAL/TECHNICAL DATA SHEET

APPLICATION

The CDW Series Drywall Ceiling Access Panel is a cost-effective, durable flush access panel for ceiling installation that is perfect for applications where a concealed appearance is required such as high luxury properties including hotels, apartment complexes, educational facilities, lobbies, and government buildings. Featuring lightweight, Type X fire and impact resistant gypsum board (drywall) construction making them an excellent choice for use in residential and commercial bathrooms, locker rooms, showers, and more.

SPECIFICATION

DOOR & TRIM: 5/8" Frame and 1 inch thick door. Type X fire resistant drywall gypsum, moisture, mold, and mildew resistant.

FINISH: Composed of 100% recycled PURPLE paper on the face and back side. Completely paintable.

FEATURES

- Entirely of drywall
- Impact resistant
- Sealed edges for durability
- Moisture free and ready to match existing ceiling

OPTIONS (with Additional Cost)

- Custom sizes available
- Gasketing

For a complete list of options visit www.BestAccessDoors.ca

SKU: **BAG-CDPC**

CONCEALED DRYWALL ACCESS PANEL FOR CEILING

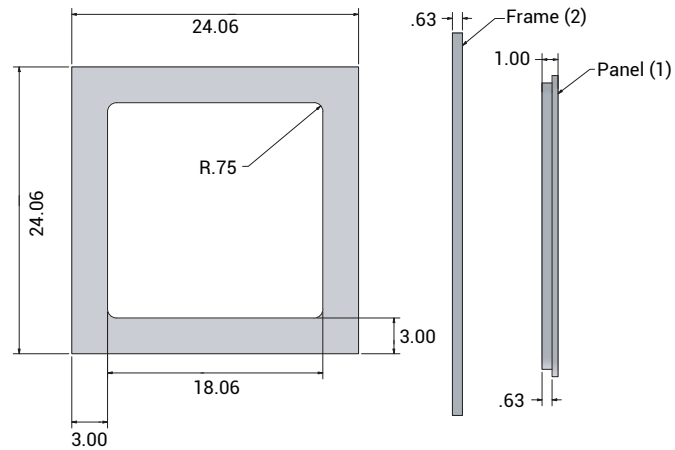
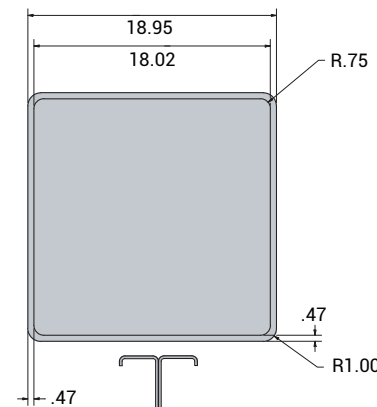


DIMENSIONS AND APPEARANCE

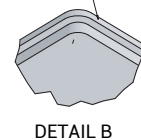
>> CLICK TO VIEW ADDITIONAL DETAILS AND PRICING <<

STANDARD SIZES:

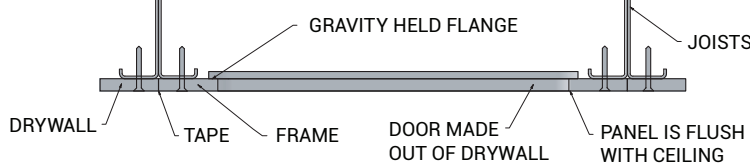
DOOR SIZE W x H (IN.)	WALL OPENING (IN.)	SHIP WEIGHT (LBS)
9 x 9	15 x 15	3
12 x 12	18 x 18	5
16 x 16	22 x 22	9
18 x 18	24 x 24	11
24 x 24	30 x 30	14



EALED DRYWALL EDGES



DETAIL B



PROJECT DATA

Custom Sizes Available - Fast!

PROJECT NAME :	QTY	W	H	OPTIONS
ARCHITECT :				
DEALER :				
CONTRACTOR :				
LOCATION :	SPECIAL INSTRUCTIONS :			
DATE :	SUBMITTAL APPROVAL : (signature or stamp)			
TAGGING INSTRUCTIONS :				

Scan or Click



To view Pricing and Additional Product Info.



TELEPHONE:
1-800-483-0823
FAX:
1-888-828-6021



385 WILSON STREET EAST,
SUITE 302
ANCASTER, ON, L9G 2C1
CANADA



WEBSITE:
www.BestAccessDoors.ca
E-MAIL:
info@bestaccessdoors.ca