



Quality Access Doors- FAST!

# SUBMITTAL/TECHNICAL DATA SHEET

## DESCRIPTION

A premium flush mount supply vent cover for a 4" diameter duct. Complete with diffuser flaps to control your air flow, this cover fits into the drywall opening of 10.25"x10.25" and has 5 slots over the 4"d.

## APPLICATION

- Designed for 1/2" and 5/8" thick drywall.
- Suitable for both wall and ceiling installation.
- Screws directly to your framework (studs or joists) to allow it to be flush.
- Finish taping and seaming the perimeter edge with your drywall.
- (PRO TIP: remove the magnetic insert to avoid drywall compound getting in the slots).
- Prime your wall and paint it to your wall colour.
- The product comes primed white and ready for your paint colour.

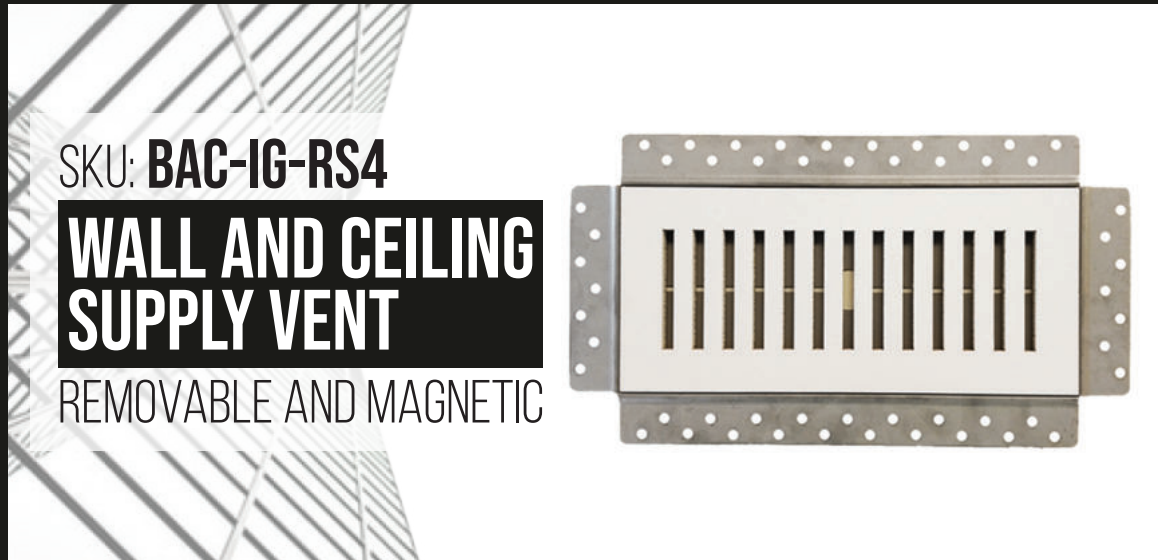
## FEATURES

- Magnetic removable triple fibre reinforced cement board grill.
- 18 gauge galvanized satin coat adjustable diffuser.
- 4 rare earth magnets (0.250" diameter x 0.060" thick).
- Easy installation, primed and ready to paint.
- Straight radial vent slots.
- Fire Rated, non-flammable.
- Impact Resistant.
- Moisture and Water Resistant, Mold Resistant.
- Eco-Friendly Manufacturing and Non-Hazardous.

## SPECIFICATIONS

- Over 6.24 square inches (40.25 square centimeters) of open area.
- Slot Size 0.375" (9.52mm) x length at 4"d radial arch.
- 5 rectangular straight radial slots.
- Overall dimensions are 10" x 10" x 0.54" (254mm x 254mm x 13.7mm).
- Product weight is 1.1 pounds (0.5 kilograms)

For a complete list of options visit [www.BestAccessDoors.ca](http://www.BestAccessDoors.ca)



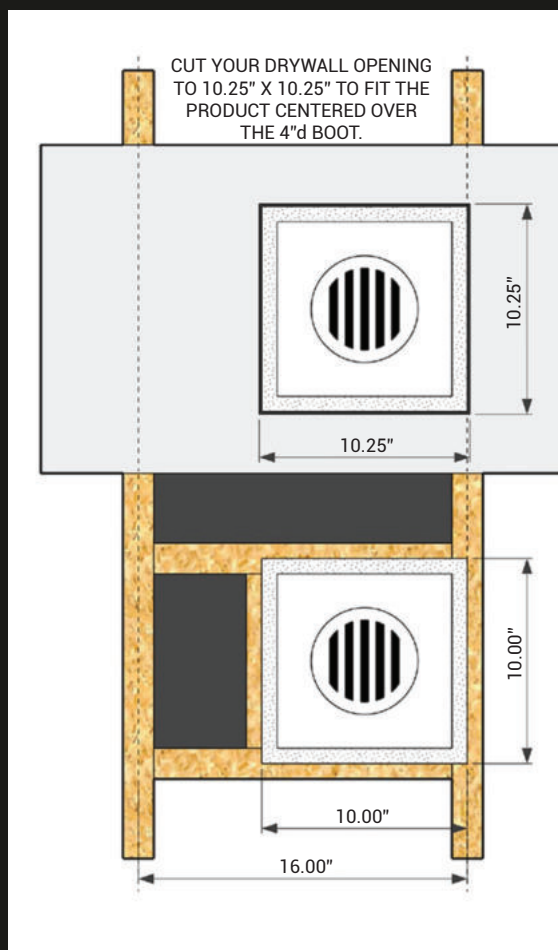
SKU: **BAG-IG-RS4**

## WALL AND CEILING SUPPLY VENT

REMOVABLE AND MAGNETIC

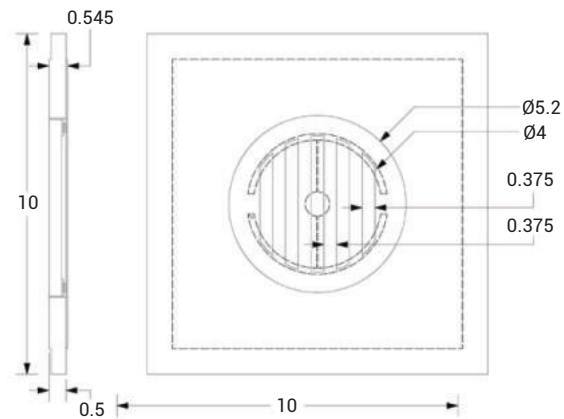
## DIMENSIONS AND APPEARANCE

>> [CLICK TO VIEW ADDITIONAL DETAILS AND PRICING <<](#)



### MATERIAL INFORMATION:

Raw Material: cement, fibres, quartz sand, non-hazardous fillers.  
 Density: 1.0 <math>D \le 1.2 \text{ g/cm}^3</math>  
 Asbestos Content: 100% asbestos-free  
 Fire resistance: non-combustible  
 Water Absorption:  $\le 40\%$   
 Resistant Bending Strength:  $\le 10.5 \text{ MPa}$  dry  
 Moisture Movement: 0.25 %  
 Freeze Thaw: No distortion after 25 repeated cycles of freezing and thawing .



## PROJECT DATA

Custom Sizes Available - Fast!

Scan or Click



PROJECT NAME :	QTY	W	H	OPTIONS
ARCHITECT :				
DEALER :				
CONTRACTOR :				
LOCATION :	SPECIAL INSTRUCTIONS :			
DATE :				
TAGGING INSTRUCTIONS :	SUBMITTAL APPROVAL : (signature or stamp)			

To view Pricing and Additional Product Info.



TELEPHONE:  
1-800-483-0823  
FAX:  
1-888-828-6021



385 WILSON STREET EAST,  
SUITE 302  
ANCASTER, ON, L9G 2C1  
CANADA



WEBSITE:  
[www.BestAccessDoors.ca](http://www.BestAccessDoors.ca)  
E-MAIL:  
[info@bestaccessdoors.ca](mailto:info@bestaccessdoors.ca)