



Quality Access Doors - FAST!

SUBMITTAL/TECHNICAL DATA SHEET

SKU: **BAC-IVHFH**

DRYWALL INLAY PANEL WITH FIXED HINGES

INVISAHATCH™



DESCRIPTION

The access panel consists of a welded aluminum frame and is available with 1/2" (12.7 mm) or 5/8" (15.9 mm) inlaid drywall and two latches.

Both an outer and an inner frame assembly consists of high grade aluminum which is bonded with a special welding process.

For sizes 12" x 12" (305 mm x 305 mm) and up the access panels are equipped with a safety system to prevent accidental opening. This safety system must be reattached if the hatch is removed.

The reveal of 1/16 of an inch (1.59 mm) is visible between the outer frame and door hatch. The concealed snap locks open the access panel when pressure is applied to the spring loaded latch side.

ADVANTAGE

- Superior engineering & innovative design
- Fast delivery
- Quick and easy installation
- Solid aluminum frame
- Flush installation in ceilings and walls
- Available in moisture / mildew resistant green board and cement board

OPTIONS

- Screwdriver operated cam latch
- Screwdriver operated four-square cam latch
- Round Cylinder Lock with Key
- Mortise Cylinder Lock Preparation
- Hex Head Cam Latch
- Pinned Hex Head Cam Latch

CUSTOMIZED SOLUTIONS

Customized sizes can be produced in every dimension upon request.

Drywall insert with screws on larger sizes than 24" x 24" (610 mm x 610 mm).

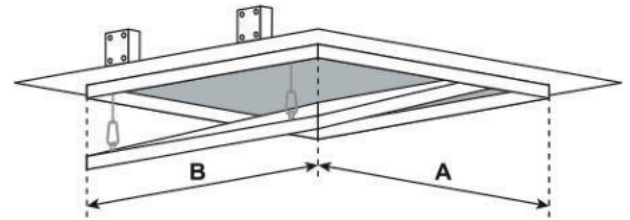
For a complete list of options visit www.BestAccessDoors.ca

DIMENSIONS AND APPEARANCE

>> CLICK TO VIEW ADDITIONAL DETAILS AND PRICING <<

STANDARD SIZES:

System F1 CODE	Dimensions	
	A inch mm	B inch mm
203203G127	8" 203	8" 203
305305G127	12" 305	12" 305
406406G127	16" 406	16" 406
508508G127	20" 508	20" 508
610610G127	24" 610	24" 610



All standard sizes are available in 1/2" (12.7 mm) or 5/8" (15.9 mm) drywall.



PROJECT DATA

Custom Sizes Available - Fast!

PROJECT NAME :	QTY	W	H	OPTIONS
ARCHITECT :				
DEALER :				
CONTRACTOR :				
LOCATION :	SPECIAL INSTRUCTIONS :			
DATE :	SUBMITTAL APPROVAL : (signature or stamp)			
TAGGING INSTRUCTIONS :				

Scan or Click



To view Pricing and Additional Product Info.

TELEPHONE:
1-800-483-0823
FAX:
1-888-828-6021



385 WILSON STREET EAST,
SUITE 302
ANCASTER, ON, L9G 2C1
CANADA

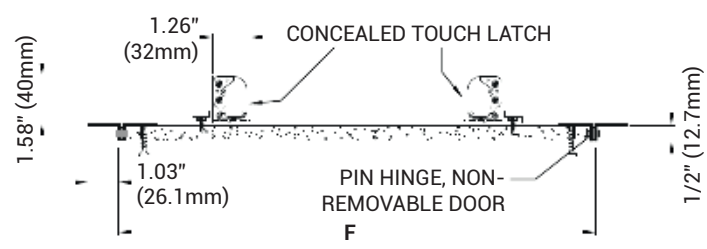
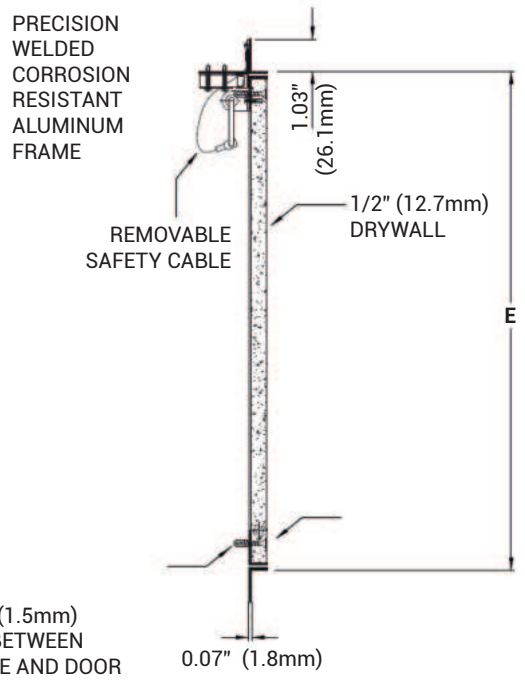
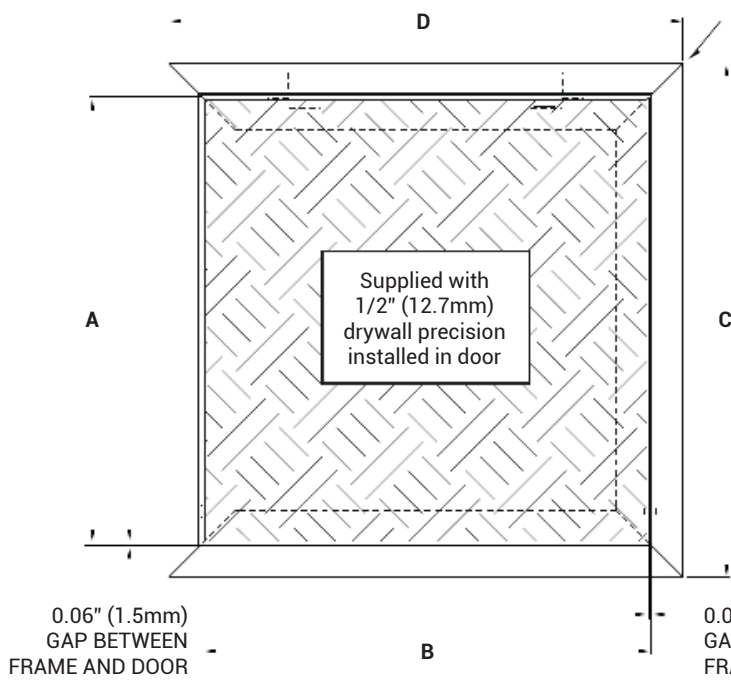


WEBSITE:
www.BestAccessDoors.ca
E-MAIL:
info@bestaccessdoors.ca

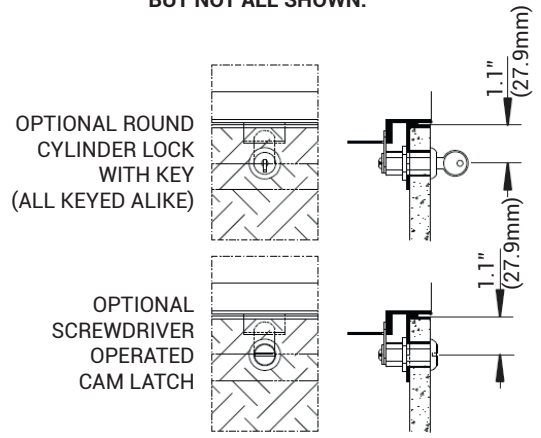
BAC-IVHFH

**INVISA HATCH™ DRYWALL INLAY
PANEL WITH FIXED HINGES**

NOMINAL DOOR SIZE	A	B	C	D	E	F	LOCK
Inches (mm)							
8 x 8 (305 x 305)	8.00 (203)	8.00 (203)	10.20 (258)	10.20 (258)	8.14 (207)	8.14 (207)	2
12 x 12 (305 x 305)	12.00 (305)	12.00 (305)	14.20 (359)	14.20 (359)	12.14 (308)	12.14 (308)	2
16 x 16 (406 x 406)	16.00 (406)	16.00 (406)	18.20 (461)	18.20 (461)	16.14 (410)	16.14 (410)	2
18 x 18 (457 x 457)	18.00 (457)	18.00 (457)	20.20 (512)	20.20 (512)	22.14 (461)	22.14 (461)	2
20 x 20 (508 x 508)	20.00 (508)	20.00 (508)	22.20 (562)	22.20 (562)	20.14 (512)	20.14 (512)	2
24 x 24 (610 x 610)	24.00 (610)	24.00 (610)	26.20 (664)	26.20 (664)	24.14 (613)	24.14 (613)	2
24 x 36 (610 x 915)	24.00 (610)	36.00 (915)	26.20 (664)	38.20 (969)	24.14 (613)	36.14 (919)	2



ADDITIONAL LOCK OPTIONS AVAILABLE, BUT NOT ALL SHOWN.



ROUGH OPENING IS NOMINAL SIZE + 3/8" (9mm).
DRYWALL INSERT WITH SCREWS ON SIZES LARGER THAN
24" X 24" (610mm X 610mm)